



# 10cd Low-intensity Obstruction Light - Photocell & Flasher

## 10-60V<sub>DC</sub> - ICAO Type A

CEL-LI-10-DCW-PCFL - LED Aircraft Warning Light

### Key Features

- Based on LED technology
- Extremely reliable long lifetime
- Suitable for off-shore use
- Very low power consumption
- Wide 10 to 60VDC input voltage
- Stabilised light output
- Lightweight and small - low wind load factor
- Easy to install, several mounting sets available
- Two cable glands, easy to chain without terminal boxes
- No RF-radiations
- Five (5) years warranty
- Patented

### Benefits

- Long maintenance intervals
- Low energy cost
- Supply power voltage variations do not affect light output
- Very low total lifetime costs
- Low wind load

### Specifications met

- ICAO International Standards and Recommended Practices:  
Aerodromes- Annex 14 Volume 1, 5th Edition, July 2009,  
Chapter 6: Low-intensity, Type A Fixed Obstacle Light

### Optical characteristics

- Intensity better than 10cd
- Colour aviation red
- Horizontal radiation pattern 360°
- Vertical radiation pattern 15°
- LED supply current stabilised by constant current generator
- Light output degradation less than 30% after 100,000hrs of operation

### Electrical characteristics

- Nominal operating voltage 10-60V<sub>DC</sub>
- Power consumption less than 1W@ 12VDC, 1.1W@ 24 VDC, 1.2W@ 48VDC
- Current consumption when light is OFF: 2mA
- Over voltage protection

### Mechanical characteristics

- Anodised marine grade aluminium body and end parts
- AISI 316 acid proof steel screws
- Colourless (clear) glass cover
- Terminal box for 1.5-6 mm<sup>2</sup> wires
- Degree of protection IP 65
- Operating temperature range -55°C to +55°C
- Height 210mm, diameter 104mm, weight 1.1 kg
- Wind load with MS-EV60 mounting kit @ 200km/h less than 40N

### Options

- Mounting kits
- Without Photocell & flasher: Ref CEL-LI-10-DCW-F datasheet

Order Code: **CEL-LI-10-DCW-PCFL**



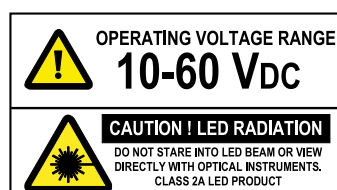
CEL-LI-10-DCW-PCFL LED obstacle light

### Photocell characteristics

- Turn on delay 1s
- Turn off delay 200s
- User selectable photocell sensitivity (bold = factory default)  
OFF/200 lux/400 lux/ **800 lux**

### Flash controller characteristics

- User selectable flashing rate (bold = factory default)  
**Steady burning**/20 fpm/40 fpm/ 60 fpm
- 250ms flash duration



T: +44 (0)20 8540 1034  
F: +44 (0)20 8543 3058  
E: info@contarnex.com

Contarnex Europe Limited  
252 Martin Way,  
Morden, Surrey SM4 4AW  
United Kingdom



## 10-60V<sub>DC</sub> - ICAO Type A

CEL-LI-10-DCW-PCFL - LED Aircraft Warning Light

### ELECTRICAL INSTALLATION INSTRUCTIONS

**CEL-LI-10-DCW-PCFL have two cable glands for easy chaining without external distribution boxes**

CEL-LI-10-DCW-PCFL is an obstacle light utilising LED technology. The cabling and installation principles are similar to those of conventional obstacle lights.

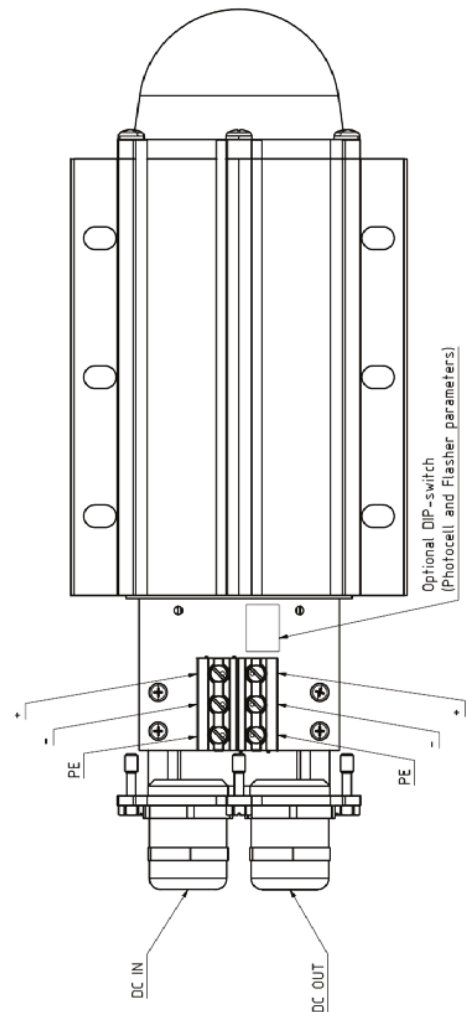
Connection can be protected with a 6A or 10A fuse or with a circuit breaker (C curve).

#### Installation specifications

- Cable gland: M25
- Cable diameter: 11 to 17mm
- Wire diameter: max. 6mm<sup>2</sup>
- Recommended cable: 3x1.5mm<sup>2</sup> or 3x2.5mm<sup>2</sup>

#### Options

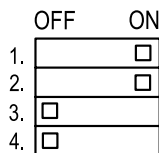
- CGS-20: Smaller cable glands
- Set include 2 pcs M20 gable glands with M25-M20 adapters for 7-13mm cables



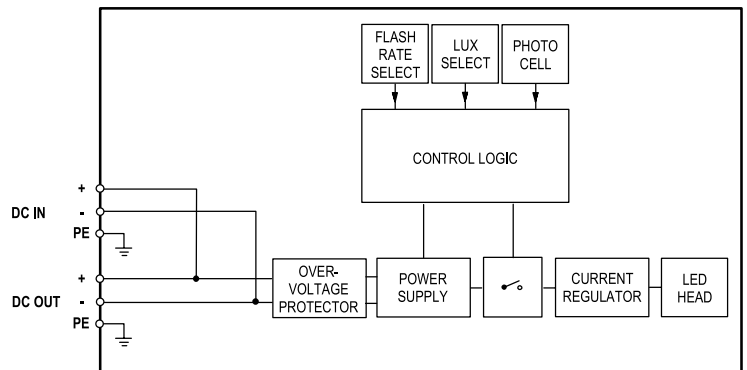
#### PCFL DIP switches

DIP1	DIP2	PHOTOCELL	DIP3	DIP4	FLASH RATE
OFF	OFF	OFF (light always ON)	OFF	OFF	STEADY BURNING
ON	OFF	200 lux	ON	OFF	20 fpm
OFF	ON	400 lux	OFF	ON	40 fpm
ON	ON	800 lux	ON	ON	60 fpm

Flash duration: 250 ms



**Default DIP settings:  
800 lux, steady burning**

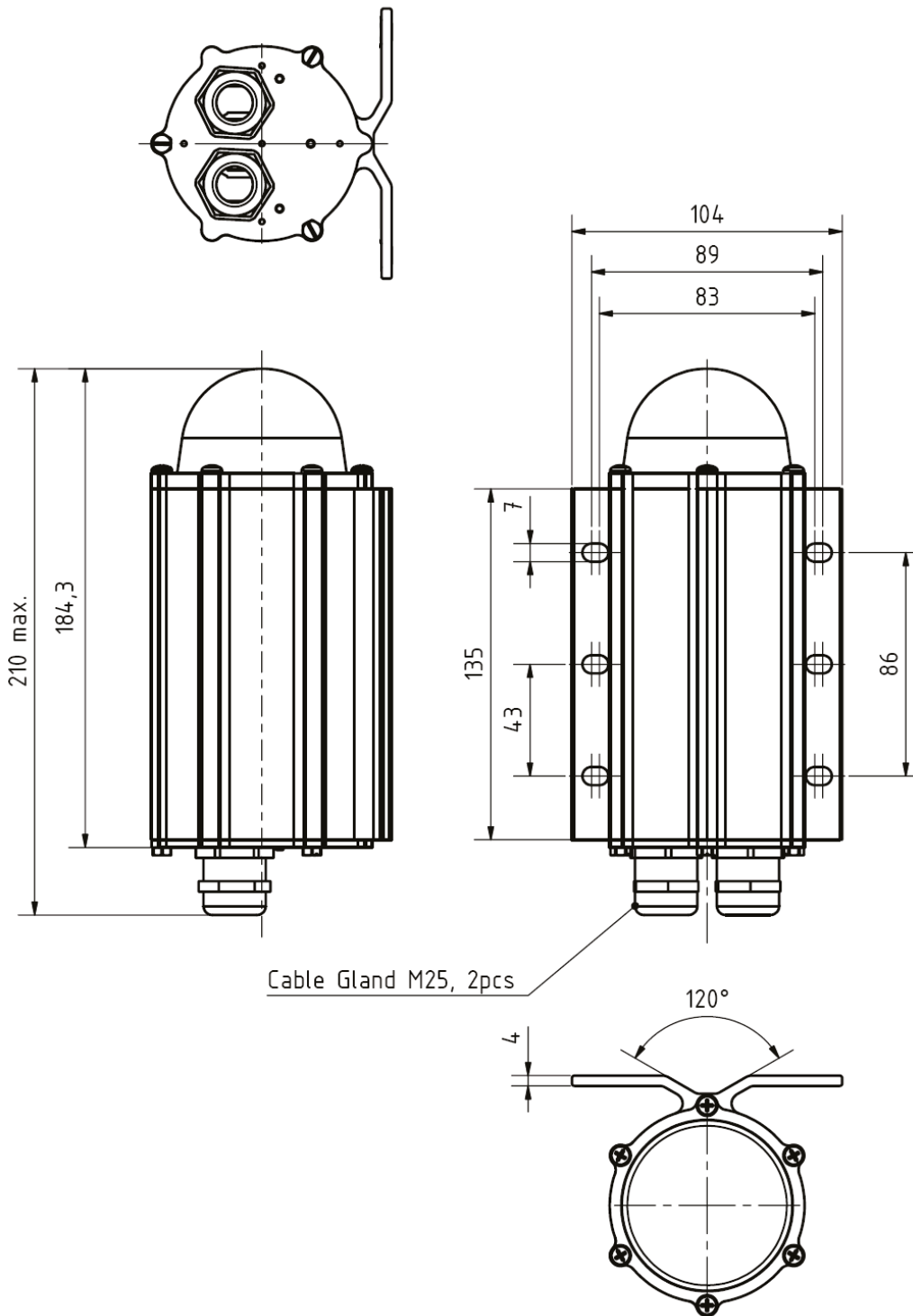


LI-10-DCW-PCFL block diagram

# 10cd Low-intensity Obstruction Light - Photocell & Flasher 10-60V<sub>DC</sub> - ICAO Type A

CEL-LI-10-DCW-PCFL - LED Aircraft Warning Light

## Mechanical dimensions



# 10cd Low-intensity Obstruction Light - Photocell & Flasher

## 10-60V<sub>DC</sub> - ICAO Type A

### CEL-LI-10-DCW-PCFL - LED Aircraft Warning Light

There are several types of mounting sets available as option:

#### CEL-MS-HV80

Mounting set for 33-80mm vertical or horizontal pipe

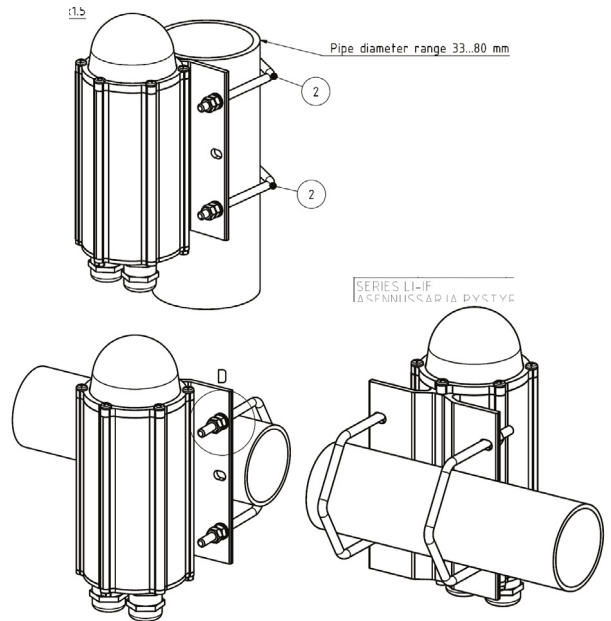
Mounting set includes:

- 2 pcs M6 U-bolt
- 8 pcs M6 hex nut
- 4 pcs 6/12 mm washer

All parts AISI 316 acid proof steel

More detailed mechanical data: CEL-MS-HV80 datasheet

Order Code: **CEL-MS-HV80**



#### CEL-MS-EV60

Mounting set with extension plate for 30-60mm vertical pipe installation

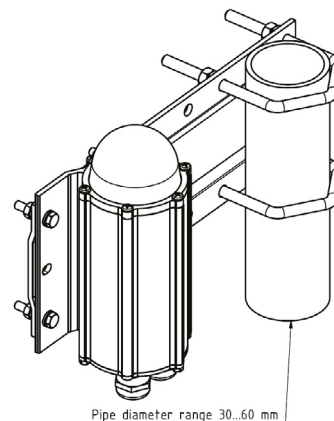
Mounting set includes:

- 2 pcs M8 U-bolt, 8 pcs M8 hex nut
- 4 pcs M6x30 bolt, 8 pcs M6 hex nut, 4 pcs 6/12 washer
- 1 pcs extension plate

Extension plate marine grade anodised aluminium, other parts AISI 316 acid proof steel

More detailed mechanical data: CEL-MS-EV60 datasheet

Order Code: **CEL-MS-EV60**



#### CEL-MS-EV100

Mounting set with extension plate for 60-100mm vertical pipe installation

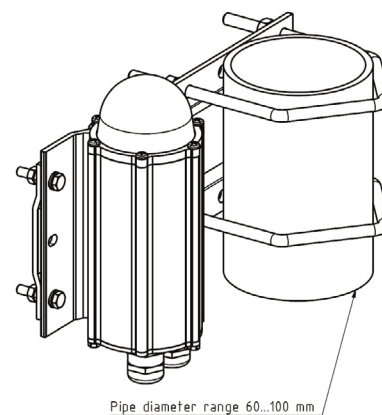
Mounting set includes:

- 2 pcs M8 U-bolt, 8 pcs M8 hex nut
- 4 pcs M6x30 bolt, 8 pcs M6 hex nut, 4 pcs 6/12 washer
- 1 pcs extension plate

Extension plate marine grade anodised aluminium, other parts AISI 316 acid proof steel

More detailed mechanical data: CEL-MS-EV100 datasheet

Order Code: **CEL-MS-EV100**



# 10cd Low-intensity Obstruction Light - Photocell & Flasher

## 10-60V<sub>DC</sub> - ICAO Type A

### CEL-LI-10-DCW-PCFL - LED Aircraft Warning Light

#### CEL-MS-EV150:

Mounting set with extension plate for 100-150mm vertical pipe installation

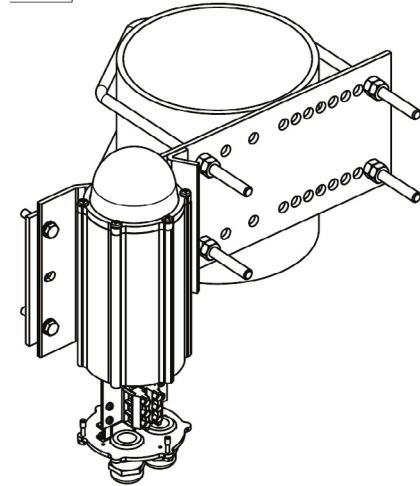
Mounting set includes:

- 2 pcs M8 U-bolt, 8 pcs M8 hex nut
- 4 pcs M6x30 bolt, 8 pcs M6 hex nut, 4 pcs 6/12 washer
- 1 pcs extension plate

Extension plate hot dipped galvanised steel, other parts AISI 316 acid proof steel

More detailed mechanical data: MS-EV150 datasheet

Order Code: **CEL-MS-EV150**



#### CEL-MS-DEV60:

Double mounting set with extension plate for 30-60mm vertical pipe installation

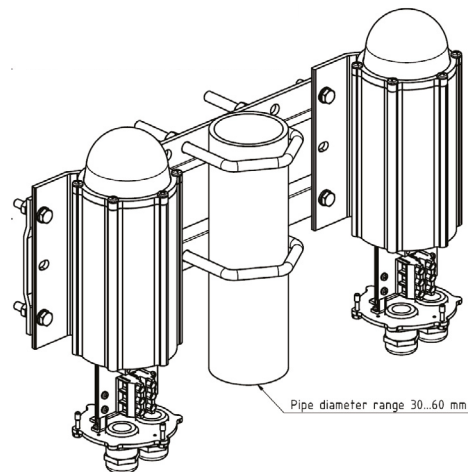
Mounting set includes:

- 2 pcs M8 U-bolt, 8 pcs M8 hex nut
- 8 pcs M6x30 bolt, 16 pcs M6 hex nut, 8 pcs 6/12 washer
- 1 pcs extension plate

Extension marine grade anodised aluminium, other parts AISI 316 acid proof steel

More detailed mechanical data: MS-DEV60 datasheet

Order Code: **CEL-MS-DEV60**



#### CEL-MS-DEV100:

Double mounting set with extension plate for 60-100mm vertical pipe installation

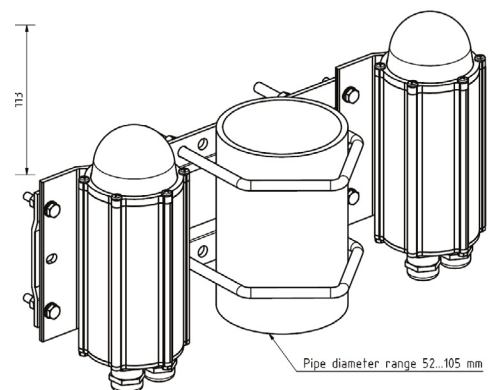
Mounting set includes:

- 2 pcs M8 U-bolt, 8 pcs M8 hex nut
- 8 pcs M6x30 bolt, 16 pcs M6 hex nut, 8 pcs 6/12 washer
- 1 pcs extension plate

Extension marine grade anodised aluminium, other parts AISI 316 acid proof steel

More detailed mechanical data: CEL-MS-DEV100 data sheet

Order Code: **CEL-MS-DEV100**



# 10cd Low-intensity Obstruction Light - Photocell & Flasher

## 10-60V<sub>DC</sub> - ICAO Type A

CEL-LI-10-DCW-PCFL - LED Aircraft Warning Light

### CEL-MS-RW

Mounting set for horizontal plate or wall installation

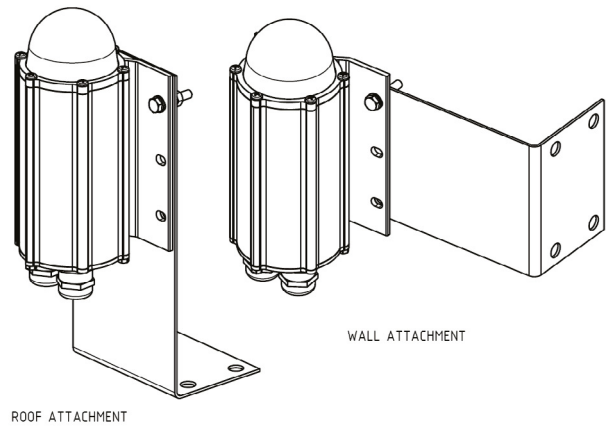
Mounting set includes:

- 4 pcs M6x30 bolt, 8 pcs M6 hex nut, 4 pcs 6/12 washer
- 1 pcs L -shape 2 mm plate

All parts AISI 316 acid proof steel

More detailed mechanical data: CEL-MS-RW datasheet

Order Code: **CEL-MS-RW**



### CEL-MS-LVU

Mounting set for L and V -shape profiles

Mounting set includes

- 1 set accessories for light unit fitting to plate
- 1 pcs extension plate with adjusting plate and accessories

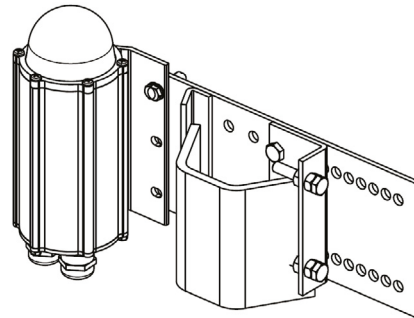
Extension plate hot dip galvanised steel, other parts

AISI 316 acid proof steel

More detailed mechanical data: CEL-MS-LVU datasheet

Order Code: **CEL-MS-LVU** (with galvanized extension plate)

**CEL-MS-LVA** (with AISI 316 extension plate)



### CEL-MS-N1B

Mounting set for 1" NPT at bottom

More detailed mechanical dimensions: CEL-MS-N1 B dataheet

Order Code: **CEL-MS-N1 B**

